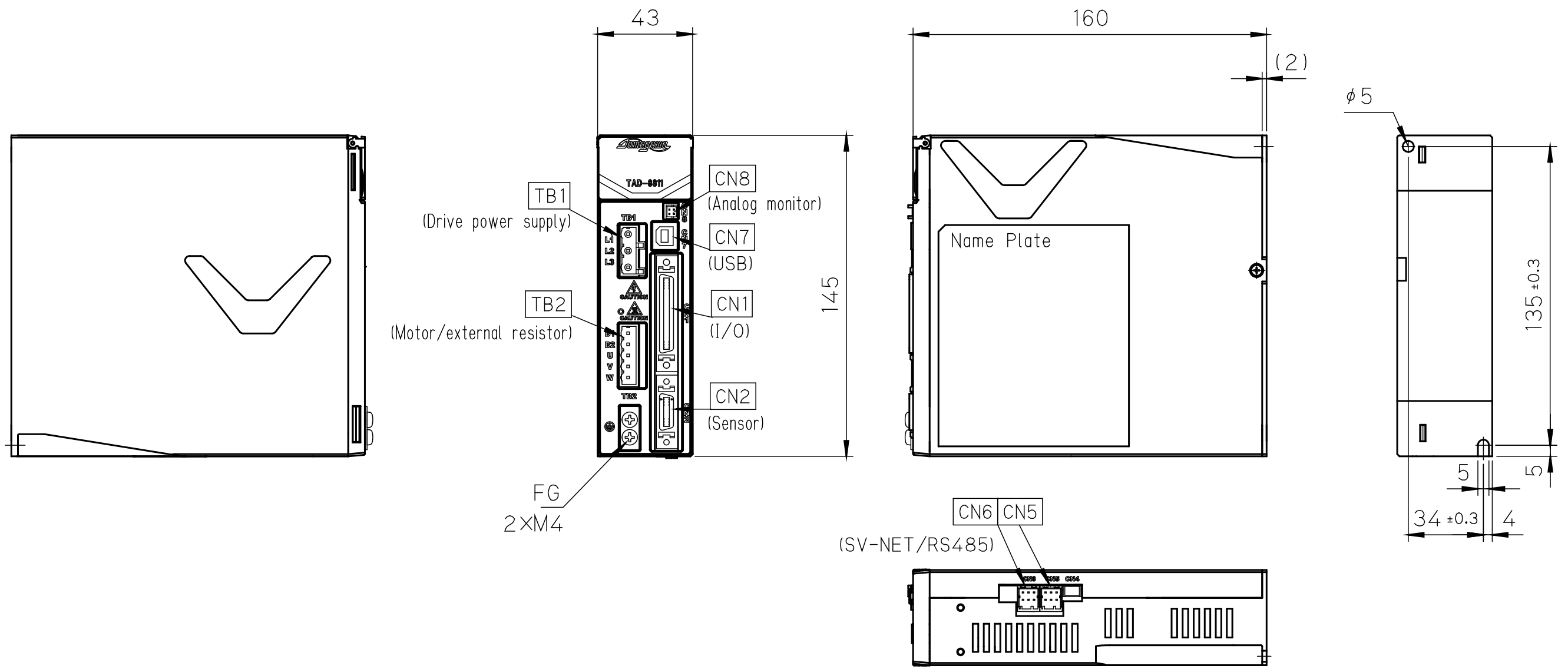


REVISIONS

No.	DESCRIPTION	DATE	SIGN
第3版	規格対応に伴う変更	17. 3. 6	



Unless otherwise specified, tolerances are ±1
指示なき公差は±1

DS'D	DATE 13.12.28	MODEL NO. TAD8811	TITLE 外形図 OUT LINE										
CH'D	SCALE 1:2	3RD ANGLE PROJECTION					8	9	10	11	12	SHEET	
APP'D	DWG NO.	3	4	5	6	7	8	9	10	11	12	SHEET	
		0	T	D	0	0	3	8	5	9	W	0	0